

TX-BGRWPY10B140-001D

PRODUCT SPECIFICATION

Approved by:

Checked by:

Prepared by:

Part No.	TX-BGRWPY10B140-001D	Spec No.	WKF-BB9052	Page	1 of 10
----------	----------------------	----------	------------	------	---------

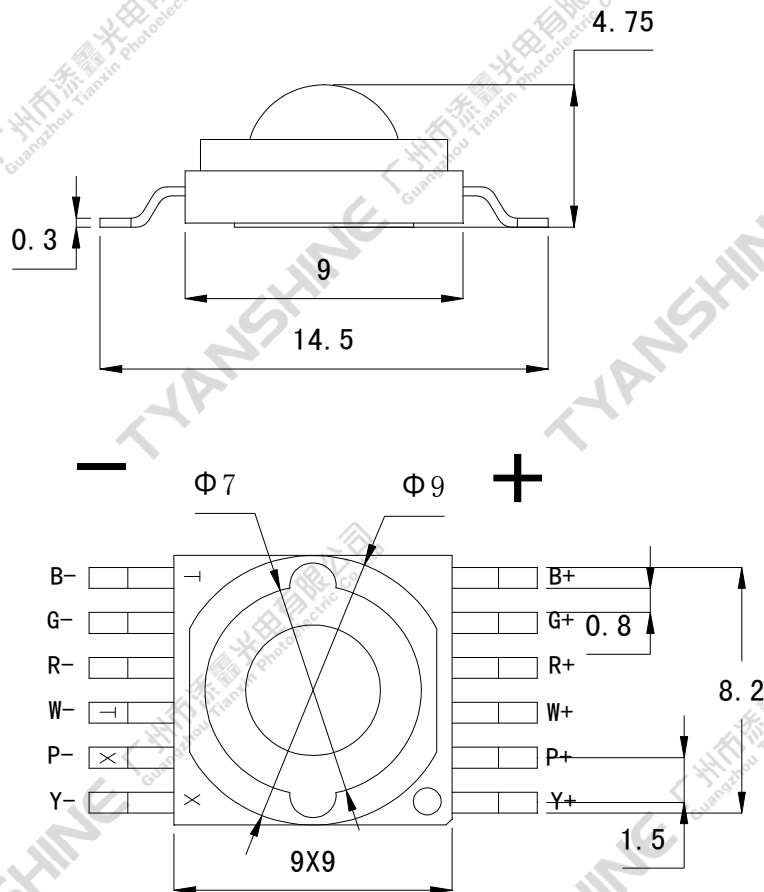
Features:

- ◆ Excellent Transiting Heat from LED Chip Operating under 400mA
- ◆ High Luminous Output
- ◆ No UV

Typical purpose:

- ◆ Portable Flashlight
- ◆ Garden lighting
- ◆ General Lighting

Package Dimensions:



Part No.	TX-BGRWPY10B140-001D	Spec No.	WKF-BB9052	Page	2 of 10
----------	----------------------	----------	------------	------	---------

Notes:

1. Thermoelectric integrated White chip packaged in this product.
2. All dimensions are in millimeters (inches).
3. Tolerance is ± 0.25 mm (0.01") unless otherwise noted.

Part NO.	Chip Material						Lens Color	Source Color
	Blue	Green	Red	White	Purple	Yellow		
TX-BGRWPY10B140-001D	GaN	GaN	AlGaN	GaN	GaN	AlGaN	Water Clear	Blue & Green & Red & White & Purple & Yellow

Absolute Maximum Ratings at Ta=25°C

Parameter	Symbol	MAX.	Unit
LED Junction Temperature	T _j	150	°C
Power Dissipation	B	1440	mW
	G	1440	
	R	1040	
	W	1400	
	P	1440	
	Y	1040	
Peak Forward Current (1/10 Duty Cycle, 0.1ms Pulse Width)	I _{FP}	1000	mA
Continuous Forward Current	I _F	400	mA
Reverse Voltage	V _R	5	V
Electrostatic Discharge Threshold (ESD)	ESD	2000	V
Operating Temperature Range	T _{opr}	-40 to +70	°C
Storage Temperature Range	T _{spr}	-40 to +100	

Notes:

1. Specifications are subject to change without notice.
2. Under the stipulated Characteristics parameters above, the life span of the LED is more than 50,000hours.
3. The data on this specification is for reference only and the actual data is in accordance with the acknowledgment.
4. Precautions for ESD:
 STATIC SHIELD Electricity and surge damages the LED. It is recommended to use a wrist band or anti-electrostatic glove when handling the LED. All devices, equipment and machinery must be properly grounded.

Part No.	TX-BGRWPY10B140-001D	Spec No.	WKF-BB9052	Page	3 of 10
----------	----------------------	----------	------------	------	---------

Characteristics at If=400mA ,Vr=5V (Ta=25°C)

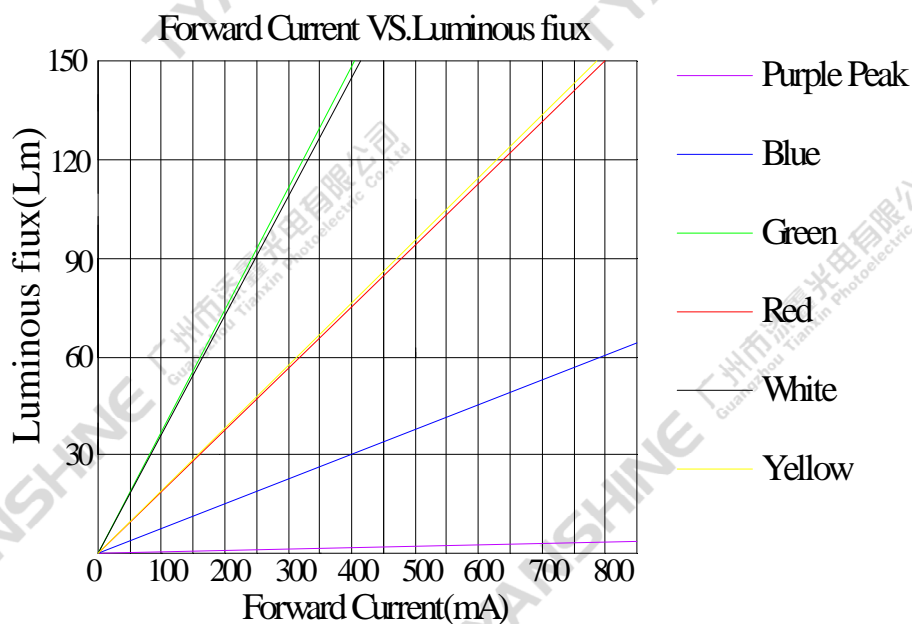
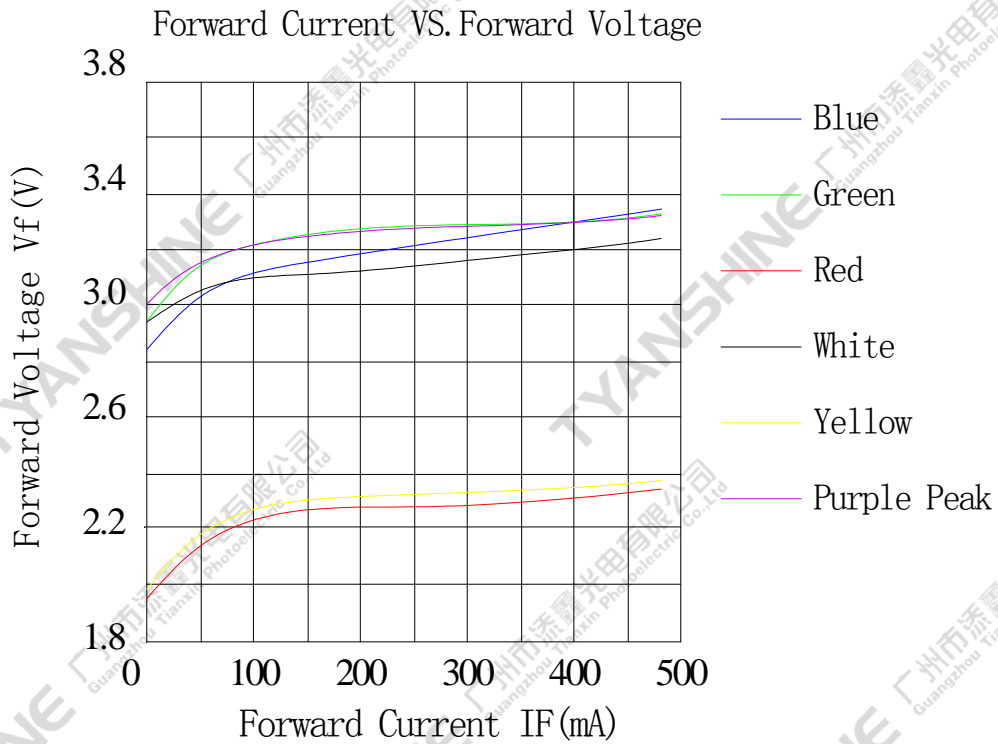
Parameter	Symbol	Emitting Color	Values			Units
			Min.	Typ.	Max.	
Luminous Flux	ϕ_v	B	20	30	—	lm
		G	100	135	—	
		R	60	75	—	
		W	115	145	—	
		P	1.5	3	—	
		Y	50	75	—	
Viewing Angle at 50% IV	$2\theta_{1/2}$	B	—	140	—	Deg
		G	—	140	—	
		R	—	140	—	
		W	—	140	—	
		P	—	140	—	
		Y	—	140	—	
Peak Emission Wavelength	λ_p	B	450	455	460	nm
		G	512	519	526	
		R	629	632	635	
		P	395	400	405	
		Y	590	594	598	
Dominant Wavelength	λ_d	B	455	460	465	nm
		G	515	522	530	
		R	618	622	625	
		P	380	390	400	
		Y	589	591	593	
Correlated Colour Temperature	CCT	W	6500	—	8000	K
Spectral Line Half-Width	$\Delta\lambda$	B	15	20	25	nm
		G	25	30	35	
		R	15	20	25	
		W	15	20	25	
		P	15	20	25	
		Y	10	15	20	
Forward Voltage	V_f	B	2.9	3.2	3.5	V
		G	2.9	3.2	3.5	
		R	2.0	2.3	2.6	
		W	2.9	3.2	3.5	
		P	3.0	3.3	3.6	
		Y	2.0	2.3	2.6	
Reverse Current	I_R	—	—	—	10	μA
Thermal Resistance Junction to Case	$R\theta_{J-C}$	—	—	3.8	—	K/W
Temperature Coefficient of Forward Voltage	$V\Delta F/T$	—	—	-2	—	mV/°C

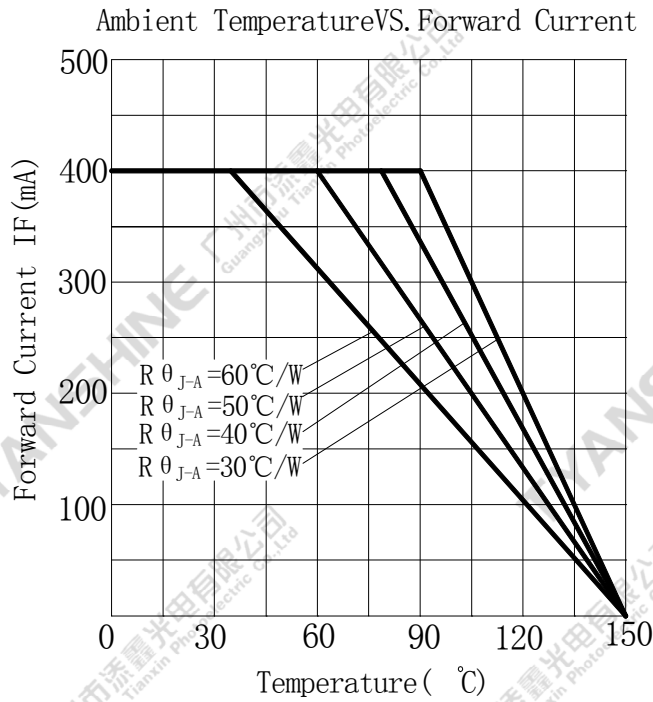
Notes:

1. Luminous intensity is measured with a light sensor and filter combination that approximates the CIE eye-response curve.
2. $\theta_{1/2}$ is the off-axis angle at which the luminous intensity is half the axial luminous intensity
3. The dominant wavelength (λ_d) is derived from the CIE chromaticity diagram and represents the single wavelength which defines the color of the device.
4. Flux is measured with an accuracy of $\pm 15\%$.
5. Forward voltage is measured with an accuracy of $\pm 0.15V$.

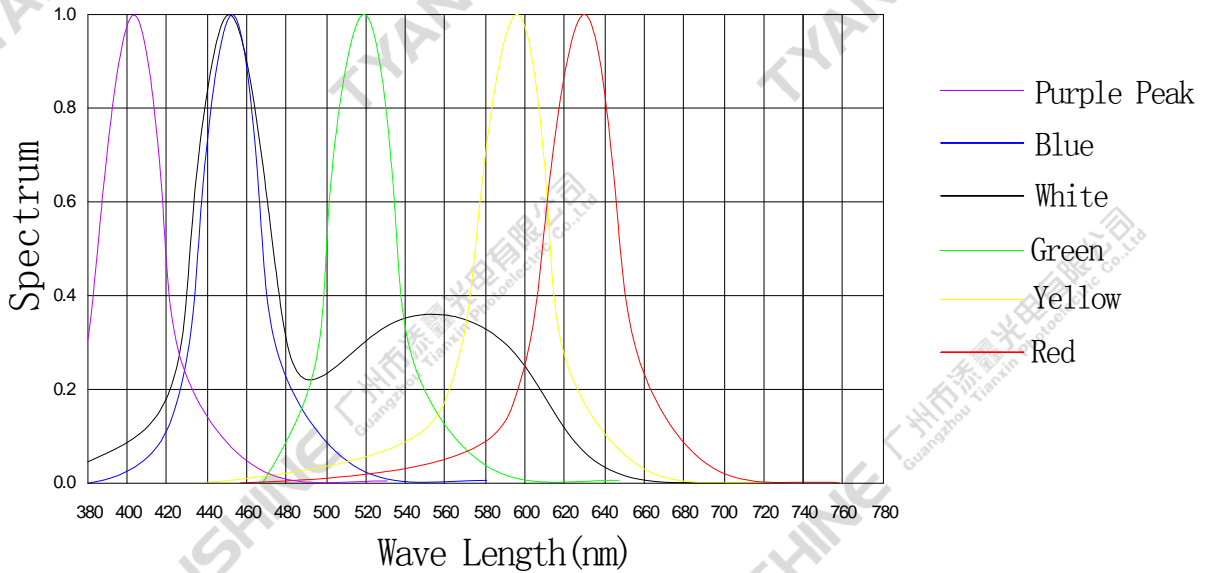
Typical Electrical / Optical Characteristics Curves

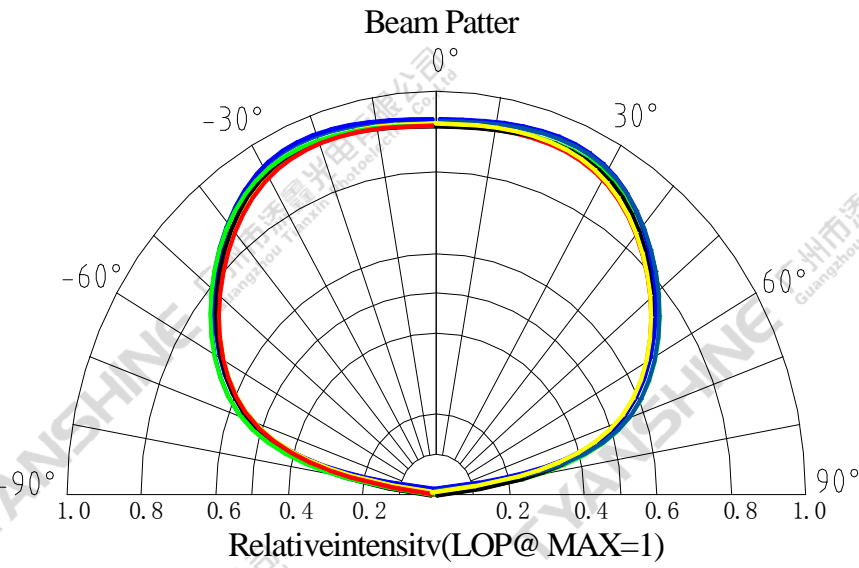
(25°C Ambient Temperature Unless Otherwise Noted)





Spectral Radiance: Blue Peak@455nm; Green Peak@519nm
Red Peak@632nm; Yellow Peak@594nm; Purple Peak@405nm





Notes:

- 1. 2θ 1/2 is the off axis angle from lamp centerline where the luminous intensity is 1/2 of the peak value.
- 2. View angle tolerance is $\pm 5^\circ$.

PRECAUTION IN USE

Storage

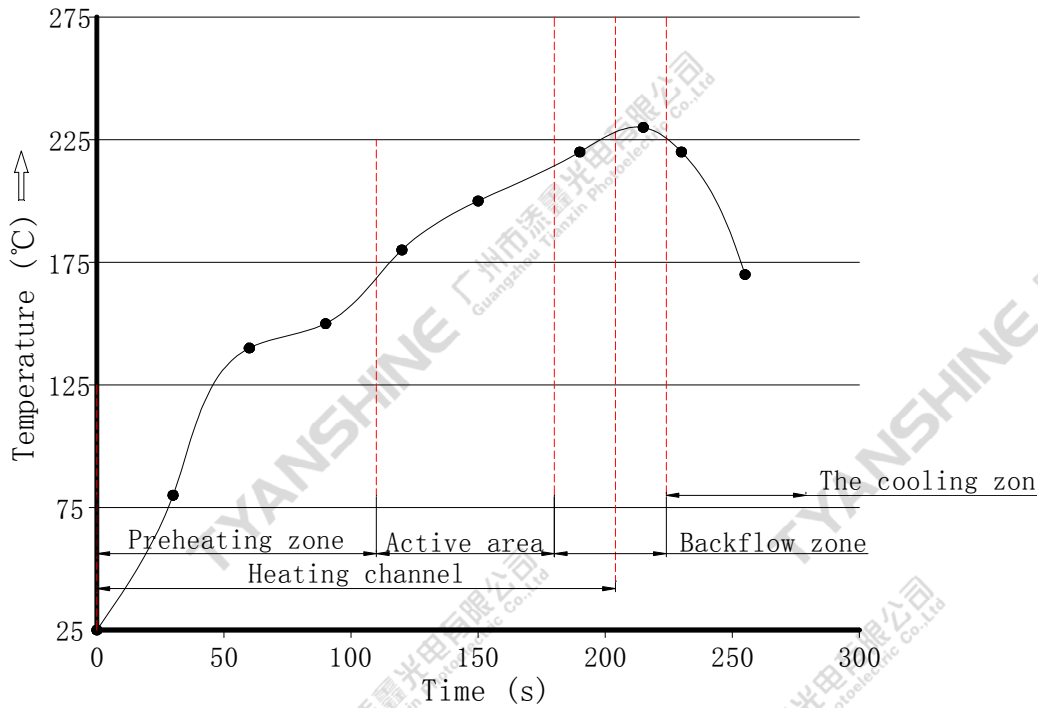
Recommended storage environment
 Temperature: 5°C ~ 30°C (41oF ~ 86oF)
 Humidity: 60% RH Max.

Soldering

Use the conditions shown to the under figure.

Part No.	TX-BGRWPY10B140-001D	Spec No.	WKF-BB9052	Page	8 of 10
----------	----------------------	----------	------------	------	---------

Backflow welding recommended temperature curve

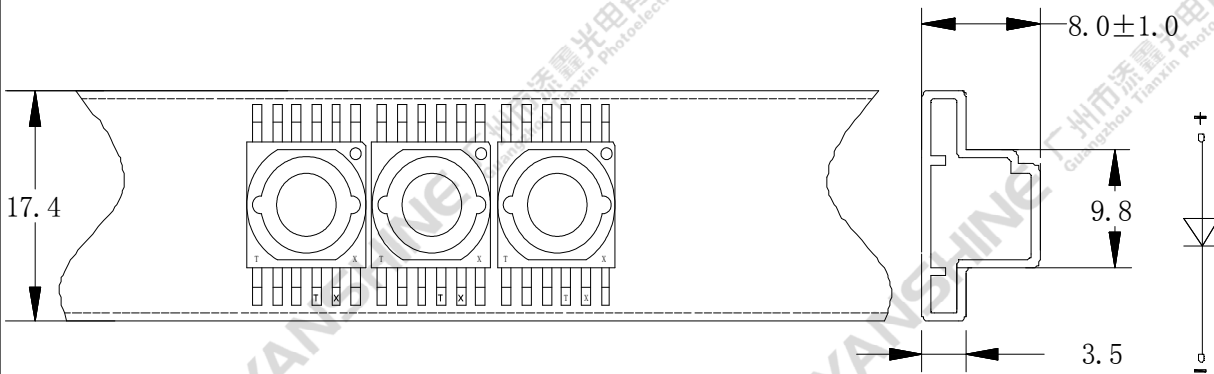


Profile Feature	Lead-Based Solder
Preheat: Temperature Min (T_{smin})	25°C
Preheat: Temperature Max (T_{smax})	170°C
Preheat: Time (T_{smin} to T_{smax})	60-120 seconds
Heating rate	1-3°C/sec
Time Maintained Above: Temperature (T_L)	170-215°C
Time Maintained Above: Time (T_L)	60-110 seconds
Reflux temperature	215-235°C
Reflux time	30-70 seconds
Cooling rate	3-5°C/sec

Note: All temperatures refer to topside of the package, measured on the package body surface.

Dimensions for Cannulation and Packaging

Quantity: 40PCS



Notes:

1. All dimensions are in millimeters (inches).
2. Tolerance is ±2.0 mm (0.08") unless otherwise noted.
3. Product is packaged with silica gel to protect the light-emitting zone. Please avoid the light-emitting area from being pressed, stressed, rubbed, come into contact with sharp metal part which would damage the product.

Part No.	TX-BGRWPY10B140-001D	Spec No.	WKF-BB9052	Page	10 of 10
----------	----------------------	----------	------------	------	----------